

# 210 FRAMING

## FLETCHER PROFESSIONAL MATCUTTER



Heavy duty anodized aluminium base that will not warp. Ergonomically designed cutting head for comfort and control. Polished ball bearing rollers glide the head along the hardened aluminium bar clamp. Two large Delrin bushings fit the head snugly to the chrome plated steel shaft eliminating head movement which leads to bowed cuts. Easy to use squaring blocks allow you to adjust the mat guide parallel to the cut.

FMC40	40"
FMC48	48"

## LOGAN

### SERIES 1000 MAT CUTTER

Series 1000 Mat Cutter - 45 bevel push type cutter. Can be used against any suitable straight-edge or adaptable to Adapt-A-Rule.

LMC1000

### JUNIOR MATT CUTTER 1100



A low priced hand held mat cutter. The basic is a push style cutter with a fixed blade. Uses Logan 324 blades.

LMC1100

### JUNIOR MATT CUTTER 2000



A quality push style hand held cutter featuring a retractable blade and a start-stop indicator. Uses Logan 270 blades.

LMC2000

### HAND CUTTER SERIES 3000



This professional style cutter is hand held with a pivot and pull blade action and features a start and stop indicator for controlling overcuts. Uses Logan 270 blades.

LMC3000

### HAND CUTTER SERIES 4000



The most advanced hand held mat cutter featuring pivot and pull blade action start and stop indicator to control overcuts and a marker bar system. Can be upgraded to use with Adapt-a-rules Compact and Simplex cutting boards. Uses Logan 270 blades.

LMC4000

## TEAM SYSTEM 1 MAT CUTTER NO 424



Creates quality bevelled mats quickly and easily. The Team System combines a non-slip ruled Guide Rail and a guided Logan Hand-Held Mat Cutter to ensure accurate cutting every time. Includes No 424 Logan 2000 with 24" adapta rule.

LMCTS1

## TEAM SYSTEM 2 MAT CUTTER NO 440



This practical system includes a 40" (101 cm) straight edge with Logan 2000 Push Style Handheld Cutter for accurate high quality mat cutting. Just mark your borders using the ruled straight edge attach the cutting head and cut from line to line. All models include a non-slip rubberized base imperial or metric ruled straight edge and a Logan 2000 Push Style Handheld Cutter. Can also be used with Logan Glass Cutter or Straight Cutter. No 440 Logan 2000 with 40" adapta rule.

LMCTS2

## TEAM SYSTEM 3 MAT CUTTER NO 441



This practical system includes a 40" (101 cm) straight edge with Logan 3000 Push Style Handheld Cutter for accurate high quality mat cutting. Just mark your borders using the ruled straight edge attach the cutting head and cut from line to line. All models include a non-slip rubberized base imperial or metric ruled straight edge and a Logan 3000 Push Style Handheld Cutter. Can also be used with Logan Glass Cutter or Straight Cutter. No 441 Logan 3000 with 40" adapta rule.

LMCTS3

## DO IT YOURSELF MATCUTTER



Contains top quality 2000 Logan bevel cutter with retractable blade and start and stop indicator 24" ruled straight edge that allows the cutting head to hook on for straight cuts and has rubberised bottom for non-slip mat cutting. Mat Knife to down size full sheets of mat board. 10 extra blades, a packet of decorative rub on transfers, Basic Mat Cutting book and 10 pieces of various coloured mat board.

LMC525

## COMPACT 32 INCH MAT CUTTER NO 301S



Quick and easy to use with parallel mat guide for quick and accurate measuring and marking of matboard. Mat guide scale for border adjustments as narrow as 3/4" or as wide as 5". Sturdy 1/2 particle board base with groove for straight-cutting. The compact bevel-cutting head features: Retractable blade holder and start and stop indicator to control overcuts. Adjustable blade depth nylon guides for running on grooved guide rail and uses inexpensive Logan No 270 blades. A compact 32 Mat cutter with parallel mat guide and guided 45 bevel cut head also contains a straight cutter.

LMC301S

## INTERMEDIATE MATCUTTER



40 mat cutter system that includes a parallel mat guide squaring bar with both straight and bevel cutting heads. Economical but full featured mat cutter.

LMC401

## OVAL AND CIRCLE MAT CUTTER NO 201



Three step oval and circle mat cutter. Designed for superior quality and versatility. Features a patented 3-step mechanism for gradual increase of blade depth. Converts from oval to circle cutter with a turn of a knob. Ovals from 8cm x 11cm to 50cm x 58cm. Circles from 11cm to 50cm. Uses common blade. Logan No 324 Dexter or X-acto equivalent.

LMC201

## LOGAN STRAIGHT CUTTER NO 701



Designed for cutting the outside edges of matt boards, or reducing matt board size. Cuts through material up to 3/16". Includes 5 No 270 blades.

LMC701

## LOGAN ADAPTA RULE



A channel equipped straight edge rule with a non-slip base. For use with Logan 2000 3000 & 4000 mat cutters to convert to Team Systems.

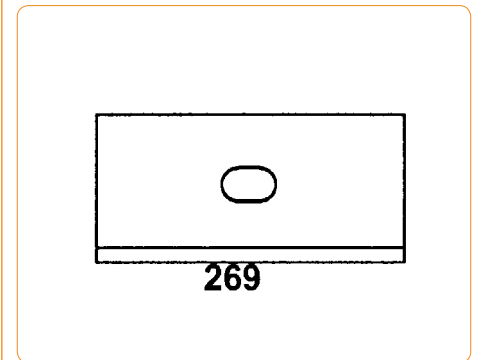
LMA524	24" No 524
LMA540	40" No 540
LMA560	60" No 560

## LOGAN BLADES

The best way to cut a great mat is with a sharp blade. Logan replacement blades are the only blades specifically sharpened to give a professional finished edge to a mat. Always use Logan replacement blades in your cutter for outstanding results.



Used in 400 401 500 501 & 200 old style cutter.  
LMCB227 227 (Pack 100)



Used in 350 and 600 cutter.  
LMCB269 269 (Pack 100)



Used in 2000 3000 301 4000 700 760 701 & 500 cutter.

LMCB270S	270 (Pack 10)
LMCB270M	270 (Pack 50)
LMCB270L	270 (Pack 100)

## DAFA MAT CUTTER



Matt cutter that cuts 45 and 90 degrees. Ideal for those beginning to learn matt cutting

DAF4590 45 & 90 Degrees

Replacement blades for Dafa cutter in a pack of 5

DAFBL45 Blades Pack of 5

## DEXTER MATCUTTER



The world's best selling mat cutter cuts a bevelled edge mat with its unique (20mm) hand moulded shape

DXMC03

## DEXTER MATCUTTER SPARE BLADES



Packet of 5 spare steel blades for the Dexter matt cutter

DXMCB5 Pack of 5

## MAPED

### MATCUTTER RULER AND 45/90 DEGREE



A totally Innovative System created out of a revolutionary new design the MAPED cutting system combines the 24 ruler and the MAPED cutters to create the perfect cutting system for producing professional results. Ideal for picture framing matting documents photos or works of art model making cutting all materials from balsawood to thick board to light plastic. Cutters may also be used with standard straightedge.

MMCSET

### 45 DEGREE MATCUTTER



Similar to the MAPED 90 the MAPED 45 also features a professional system that cuts cleanly and smoothly eliminating mis-cuts. 45 model for beveled cuts up to 5mm deep.

MMC45

### 90 DEGREE MATCUTTER



Exceptionally stable the MAPED 90 cutter is designed to provide maximum grip while moving along a ruler or standard straightedge with ease. 90 model for straight cuts up to 9mm deep.

MMC90

## MAPED MATCUTTER BLADES



Pack of 5 replacement steel blades for Maped mat Cutting System and MatCutter.

MMCBL45	45 Degrees
MMCBL90	90 Degrees

## GUNNAR MATCUTTER BLADES (LAILA CRAFT BL)

A high performance, industry standard blade for matboard cutting.

GUNMATB
---------

## MITRE BOX WITH SAW

An excellent tool for making precision cuts in wood plastic and soft metals.

MITBOX	550mm Prager
--------	--------------

## ENGINEERS SQUARE 4"



Extremely accurate precision square for design and construction projects. Steel stock and blade.

ENGSSQU
---------

## OFFSET METAL D RING LARGE



Metal ring cast in a D shape on a hinge for picture hanging. Each D-Ring comes with a screw which can be attached to the rear of most picture frames. Provides a more secure fit than staples alone. Requires a left and a right for a pair.

DRINGL	Brown
--------	-------

## METAL D RING MEDIUM



Medium sized metal ring designed to be screwed in to picture frames to provide a secure attachment for hanging devices.

DRING
-------

## WHITE NYLON CORD



Framing Cord 2.5mm and 2mm - Framing Cord is made from Polyester and is primarily used as hanging cord for the back of pictures.

QNC15500	2.5mm x 500m	No.15
QNC1090	2mm x 100m	No.10
QNC10500	2mm x 500m	No.10

## BANTEX SELF ADHESIVE FASTENERS



Contains 6 x 20mm hook and loop dots and 50mm hook and loop strip.

L8075	Combination Hang-Sell Pack
-------	----------------------------

## ABC WIPER



ABC Wiper on a Roll A low lint wiper ideal for use in the Picture Framing industries for cleaning glass etc for presentation to the client.

QRAG	490mm x 70metres
------	------------------

## HYDROWIPES BLUE LINT FREE



Hydrowipes Dupont Sontara Fabric completely lint free and washable. The ultimate glass cleaning cloth with absolutely no lint. Pack 100.

QWIPES	38cm x 40cm
--------	-------------

## TREASURE GOLD WAX GILD PASTE



A metallic wax used for restoring gold leaf and the finishing touches for antiques. All colours blend together. Apply by finger and buff lightly with a cloth. Will not fade or tarnish. Use on virtually any surface.

TREAUQ	Aqua
TRECOP	Copper
TREEME	Emerald
TREFLO	Florentine
TREGOL	Gold
TREIND	Indigo
TREOLB	Olive Bronze
TREREN	Renaissance
TREROA	Royal Amethyst
TRERQU	Rose Quartz
TRERUB	Ruby
TRESAP	Sapphire
TRESIL	Silver

## RUB'N'BUFF METALLIC WAX PASTE



A lustrous wax based metallic finish suitable for antiquing craft projects and decorative finishes for the home. Rub the wax onto any surface with your finger or a soft cloth then gently buff to a beautiful lustre. It can be used on wood glass plastic fabric metal ceramics paper leather and painted surfaces. By combining different coloured Rub 'N Buff waxes finishes such as sponging antiquing marbling tortoise shell and patina can be achieved.

RUBBUF 15ml Tube

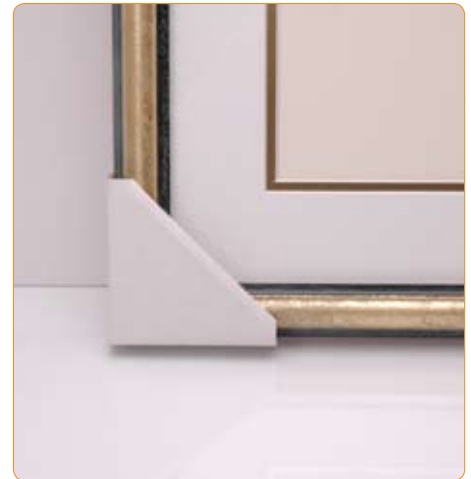
## KRYLON LEAFING PEN 9G



Krylon Leafing Pens add decorative metallic highlights on a variety of surfaces. Lacquer coating dries to touch in 10 - 15 minutes fully dry in 2 hours. Coverage: 1 - 3 sq ft. Recommended for indoor use only. Will tarnish with oxidation. Unique chiseled tip makes both thin and thick lines. Highest quality very smooth high gloss metallic finish. Acid-free. Great for use on: wood craft, foam, glass, ceramic, fabric, metal, plaster, paper, plastic, florals, papier mache and wicker.

KSPEN

## CARDBOARD FRAMING CORNERS



Foldable cardboard corners for the protection of picture frames finished artwork and furniture. Can be held in place with staples or strong tape.

CORNERS

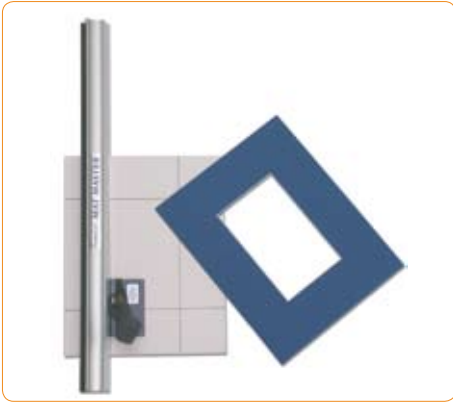
## ROWNEY GOLDFINGER



Easy to use, Goldfinger is simply applied with a soft cloth or finger and after a short time can be buffed to a fine lustre. It produces a really professional finish with no signs of metallic particles or smears. The restoration of antiques, picture framing gilding, plaster, clay or wood decoration, mouldings for imitation ormolu furniture, textiles, leather, plastics, model making, and greeting cards. Takes best on porous or slightly abraded surfaces. Antique Gold, sovereign gold, green gold, silver, copper.

RGOLD 22ml Tube 5 Colours

## MATMASTER



The new Frameco Rules are non-slip heavy duty aluminium rules with metric scales. The bevel cutting head attaches to the rule for accurate cutting every time.

PMMM No 201 Cutter & 66cm Rule No 14220



The bevel cutting head features a new easy grip handle for comfortable and effortless cutting.

PMMMC No 201 Bevel Cutter No 14201



The new Frameco Rules are non-slip heavy duty aluminium rules with metric scales. The bevel cutting head attaches to the rule for accurate cutting every time.

PMMMR 66cm (26 Inch) Rule No 14209

## FLETCHER FLEXIMASTER



Easy-to-load magazine holds 170 (.015 inch thick) flexible points. It fires one point at a time without double feeding or jamming. Tension adjustment lets you adjust firing power to the density of the wood. Rear stabilizer stand FlexiMaster upright.

FLEXGUN 07-700

## FLETCHER FRAMEMASTER



Full grip trigger fires points with minimum pressure. The unique flat point guarantees secure flat-to-the-surface holding that you cannot get with other brands.

FRAMEGUN 07-500

## GROOVEMASTER



A revolutionary new hand held V-Grooving tool for cutting decorative V-Grooves into matboard. Add style and design to all your picture framing projects. Gives your pictures a professional finish. The GrooveMaster is designed to run along the FrameCo Mat Master Rule increasing its accuracy and ease of use. Cuts a clean even V-Groove in one pass - faster and easier than the standard method. The kit comes complete with a corner gauge which makes marking the V-Groove spacing in corners quick and easy. Also includes 6 blades

PMGMK V-Groover Kit No 14400

Pack of 10 replacement blades for the Groovemaster kit

PMGMB Blades Pkt10 No 14404

Jac paper can be found in the Tape Section

## FLEXIBLE POINTS



Its easy to bend Flexible Framers Points upward remove and replace materials then bend the points back into position without damaging the points moulding framing materials or glass. The points will not rip or dent backing material and provide 4 times more holding surface than any other brand.

FLEXPTS Pack of 3700 08-955

## FRAMERS POINTS



These points attach to the rebate of the picture moulding and hold everything in the frame.

FRAMPTS Pack of 3000 08-950

## FLEXI FRAMER FLEXIPOINT DRIVER NO 14757

The Flexi Framer is similar to the PushMaster but this tool only inserts flexipoints and backing nails. Brads or Flexipoints (bendable tabs) can be placed into the grooves on either side of the head of the Flexi framer. These are then pushed into the rebate at the back of the picture to secure the backing board.

PMFF

## FRAME CO

### PUSH MASTER



The PushMaster is used to join frames and can also be used for fitting the picture into the frame. Pushmaster will insert all sizes of V-Nails into timber mouldings. Used in combination with a clamp to hold the joint firmly whilst nailing. These simple and inexpensive tools are suitable for low volume picture framing and joinery. The starter kit includes 400 V-Nails (sizes 7mm 10mm) for approx. 60 frames a sample amount of Flexipoints screw eyes and fitting up nails and instructions.

PMKIT Kit No 14730

### FLEXI POINTS



The unique head design of the PushMaster allows backing nails and Flexipoints used to fit pictures into the frame and secure the back can be installed.



To secure the backing board you can either use backing nails or flexipoints. The flexipoints are bendable tabs and are great for removing your picture if required - for example photo frames certificates.

PMFP	No 14736	Pack of 300
PMFPS	No 14735	Pack of 500

### V-NAILS



V-Nails are uniquely shaped wedges used to join the mitred joint. When the V-Nail enters the timber the V shape is deflected outwards to open it out slightly. As the V-Nail tries to come back to its original shape the joint is pulled tightly together. The V-Nails have a teflon strip to lubricate it as it enters the timber.

PMVN400 Pack Of 400

### EZY FRAMER



The Ezy-Framer will insert all sizes of V-Nails and backing nails to hold the artwork into the frame. Ezy-Framer combined with a cord clamp makes it an ideal start-up option for the home framer who only wants to join a few picture frames. Ezy-Framer will not insert Flexipoints or screw eyes and it will not fit into the BenchMaster as the PushMaster does.

PMEF No 14747

## CLAMP CORNER



All the FrameCo clamps now come with new corner wings. These wings fit onto the bottom of each corner piece preventing the clamp from slipping off the frame. Fit the corner wings when joining rounded or narrow backed moulding. New corner wing sets fit all FrameCo cord strap and Hobbi clamps. This is the updated kit with 4 corners.

PMCC4 Set of 4 No 10105

## CORNER JACK



When joining some shaped mouldings the front or rear of the corner may need support if the frame does not rest flat on the working surface. The pressure of the V-Nail entering the base of the moulding can force the joint to open if the frame is not supported. The FrameCo Corner Jack is an adjustable jack used to support the frame corner while joining.

PMCJ No 15610

## CORNER CLAMP



The FrameCo Corner Clamp is a powerful single corner system. Suitable for larger and complex mouldings frame restoration and repair work. The clamp is precision engineered aluminium and has a unique front jaw which forces the joint together when clamping.

PMCNC No 10110

## BASE PLATE CLAMP



The Base Plate Clamp holds the frame corner firmly when joining. This clamp will be most useful for complex shaped mouldings, compound mitres and hard timbers. Combined with the Corner Jack it will prevent any movement or opening of the frame corner when V-Nailing.

PMBMC No 14732

## FRAME STOP



The PushMaster tool inserts both flexipoints and backing nails. It is essential that the frame side be firmly supported when inserting these backing points. The FrameCo Frame Stop is a portable easy to use tool for this job. It provides firm support and is easily moved to any nailing position.

PMFS No 15620

HOBBI CLAMP 

The FrameCo HobbyClamp improves the clamping pressure on the frame by removing the stretch from the cord. This is essential for large frames and bigger projects. The HobbyClamp consists of the Cord Clamp and the Tensioner combined. The Tensioner may be purchased separately and will fit any cord clamp. Maximum frame size is 60cm sq.

PMHC No 10131

TENSIONER 

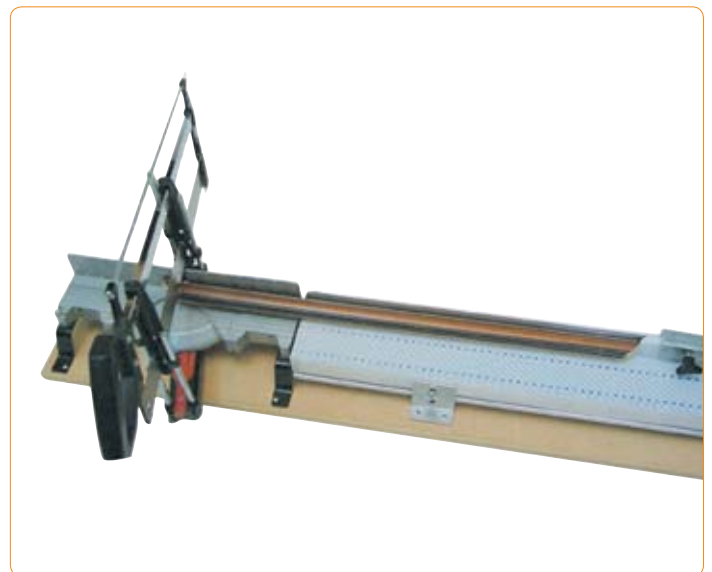
The Frame Co Tensioning device improves the clamping pressure on all corners of the cord clamp. It removes the stretch in the cord, which cannot be achieved by hand pressure alone. Stronger clamping pressure is essential for large or heavy frames and bigger projects. This two-stage clamping system is quick and easy to operate.

PMTEN No 10132

CORD CLAMP 

The cord clamp is an economical clamp ideal for the home framer. The flexible plastic corners do not damage the moulding. To tighten the cord clamp you simply pull the nylon cord and lock it into the cleat. The cord clamp comes with the exclusive FrameCo corner wings which prevent the clamp corners from slipping off the frame. Note: not recommended for large or heavy frames. Look at the Steel strap clamp. Maximum frame size is 60cm (24 inch) square.

PMCC Kit No 10130

SAW MEASURING SYSTEM 

The Ezy-Measure System is made by FrameCo and makes the cutting of picture frame moulding quick and easy. Just slide the moulding along the scale to the desired length and cut. The stop enables you to cut the next side exactly the same length. The table will also attach to many other hand saws or electric powered drop saws. Available as either metric or imperial scales. FrameCo Ezy-Measure System will attach to most mitre and power saw units. Does not include saw & mitrebox.

PMSMS No 10125

## STRAP CLAMP



The FrameCo Strap Clamp is ideal for picture framing. The spring steel band is 5m or 9m and will hold a large frame. The plastic corners are specially made so that they will not slip off the frame - a unique feature of our clamps. Plus the corner pieces are flexible so that they can clamp at any angle. The locking mechanism is robust quick and easy to use and comes with a lifetime warranty. Extra corners are supplied so that you can join 4, 6, 8 and 10 sided frames.

PMSC9	9M 10107
PMSC	5M 10106

## BENCHMASTER



BenchMaster is ideal for the serious home framer photographer or artist who want to do their own framing. The powerful cam action of the handle combined with the heavy duty PushMaster drives V-Nails into the hardest of timbers. Its gentle hand action suits small mouldings odd shaped or delicate frames is easy and safe to operate and gives you a professional finish every time. Precision engineered and all metal construction makes the BenchMaster very stable to use. Joins most timber including very hard timbers. Takes all V-Nail sizes from 7mm (1/4) to 15mm (5/8). Can join a large range of frame widths and heights.

PMBM1	1 No 14728
PMBM2	2 No 14729 Includes Pushmaster and accessories.

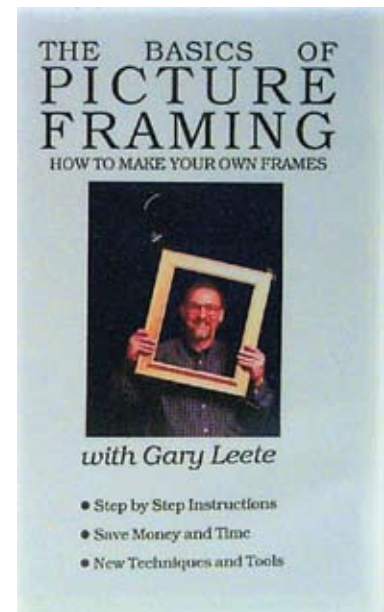
## EXTENSION KIT



Optional extension legs are available for the Benchmaster for joining up to 130mm (5) high mouldings.

PMBME	No 14727
-------	----------

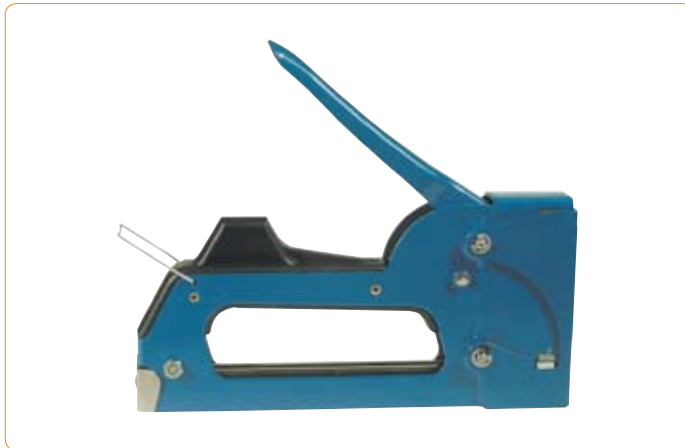
## VIDEO BASICS OF PICTURE FRAMING



Step by step instructions using a new range of inexpensive equipment helps you save money and build a successful hobby. On this video you will learn about: measuring colour selection mount cutting glass cutting equipment frame cutting and joining finishing touches tools and start up suggestions.

PMVID	
-------	--

## ARROW GUNTACKER



Basic T55 stapler with molded plastic handle. Features a baked enamel finish all steel construction hand contoured handle safety handle lock visual refill window patented jam proof mechanism molded plastic handle stop.

GUNTACK T55

## T50 STAPLES



1001 uses as a heavy duty stapler especially useful for stretching canvas and attaching hanging cords to frames. Comes in 1/4, 5/16, 3/8, 1/2 and 9/16 inch.

GUNSTAP

## BOSTITCH



All Steel Construction. Patented easy squeeze design. Quick-load magazine. Jam-Free design. Integrated pusher spring no loose parts. Ergonomically designed comfort grip. Double wall nose plate construction for extra durability

BOS4000 PC4000 Heavy Duty Tacker



BOST10CS T10CS Light Duty Tacker

Lightweight tacker with handle lock. Comfort grip. Bottom loading. Staple reload indicator. Drives 1/4 5/16 and 3/8 staples



BOSTT15 T15 Heavy Duty Tacker

Durable steel construction with built-in drive bumper for long life. Handle lock. Exclusive power drive dial quickly adjusts tacker for job to be done. Easy drop in bottom loading. No loose parts to remove or lose. Staple remover.

## BOSTITCH STAPLES



Staples for the T15 tacker and PC4000

BOSH06	6mm
BOSH10	10mm
BOSH12	12mm



Staple refills for the T10 tacker

BOST06	6mm
BOST08	8mm
BOST10	10mm

## TARA CANVAS PLIERS NO 7400



Chrome plated drop-forged steel. Heavy duty with deep seated teeth for positive stretching. Spring loaded handle.

TCANPL

## CELCO SLIDE BINDER BAR



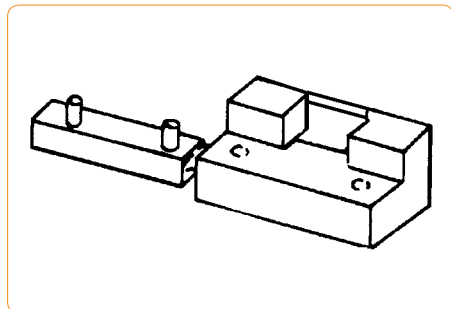
Add that professional touch to office presentations. Great for hanging posters

CSB120B 120cm Black  
CSB120W 120cm White

## WALL HANGING SYSTEMS

### GS

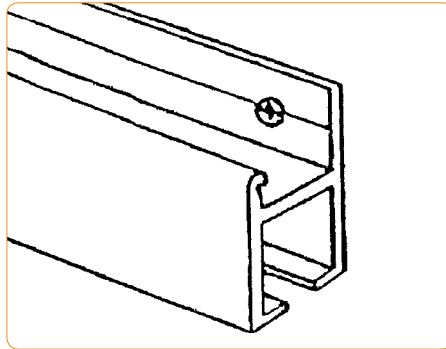
#### LOCKING CAPSULE



Slides into track to hold the plastic strap into the track.

GS003 Single

### GS

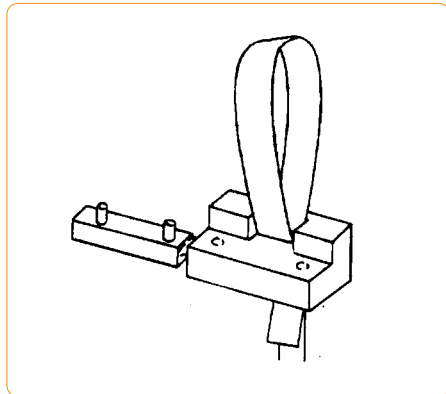


The Gallery System is a versatile, heavy duty aluminium, flexible picture hanging system which adapts quickly to changing needs. Pictures are able to be moved freely and quickly with the minimum of effort. No more drilling or plugging walls.

Powder-coated white on satin anodise.

GS0042 2-metre  
GS0043 3-metre

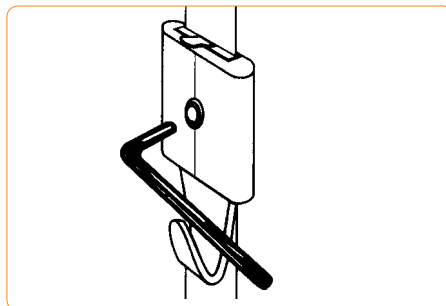
#### PLASTIC STRAPS



30 metres clear tape and 10 locking capsules which locks tape in track.

GS002 Straps 30metres & 10 Lock Capsule

#### CLEAR TAPE HOOKS



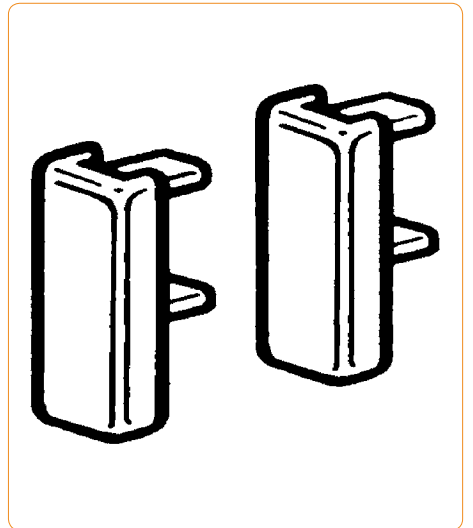
Adjusts easily locks securely in place and there is a locking key provided. Recommended maximum weight is 10kgs per hook. For very heavy items such as mirrors use two hangers and two hooks. Instructions on pack.

GS001 Pack of 10

### FX

A light, compact, aluminium picture rail system for home, office and gallery use. Makes display and adjustment of pictures easy to achieve without any unsightly holes in the wall. Requires the minimum of effort and has a very discreet appearance.

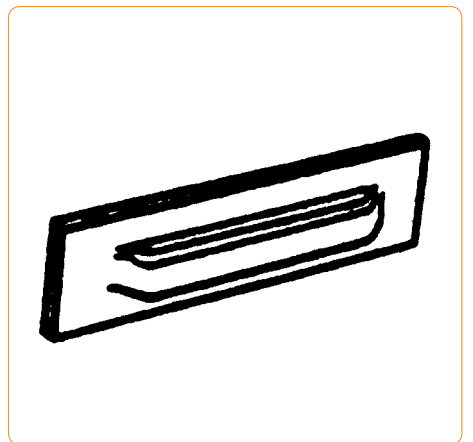
#### FX PAIR OF ENDCAPS



The endcaps are colour matched in white or in pale grey. They promote a finished look to the top rails

FXH006

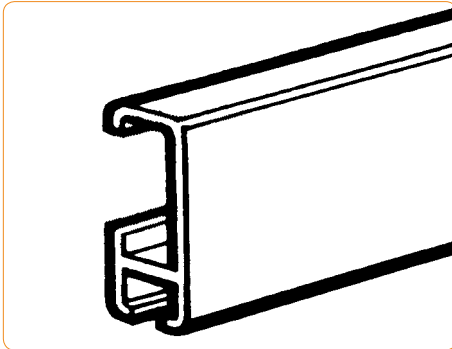
#### FX TOP RAIL CONNECTOR



Connectors are supplied to line up two pieces of rail which are joined.

FXH007

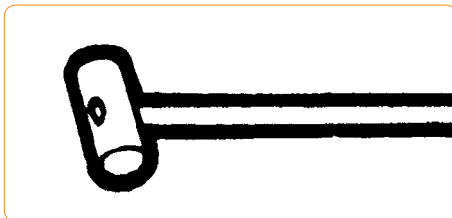
### LOCATOR WHITE OR BRUSHED SILVER TOP RAIL



All Top Rails are supplied in 3m lengths complete with fixing screws and masonry plugs. Nylon bushes fixing screws and masonry plugs are supplied at the rate of nine per 3m length. Extra fixing packs can be ordered. When it is installed the fixing screws are hidden from view. The rail snaps onto a horizontal row of nylon bushes which are screwed directly to the wall. This top rail is particularly suited to use in offices and domestic interiors.

FXH001 3.0metres

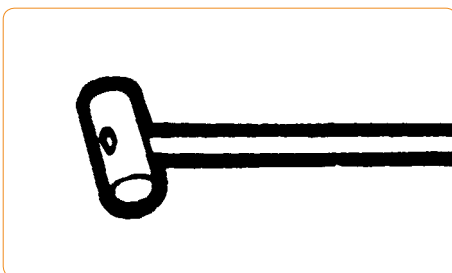
### LOCATOR STAINLESS STEEL HANGER



Stainless steel cable hangers have ends which are inserted either from the ends of the rail or through the access slots. They then slide along to the required position.

FXH002 1.5metres

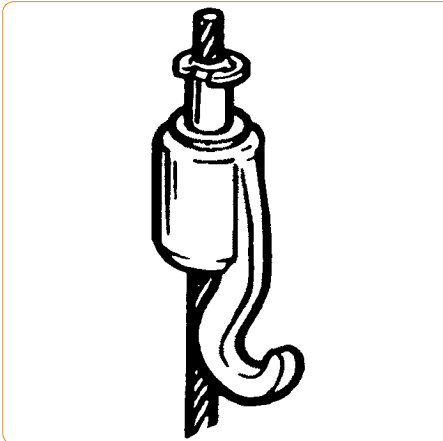
### LOCATOR NYLON HANGER



Hangers whether clear nylon or stainless steel cable have ends which are inserted either from the ends of the rail or through the access slots. They then slide along to the required position. Prices are per hanger. Hangers can be made virtually any length.

FXH003 1.5metres

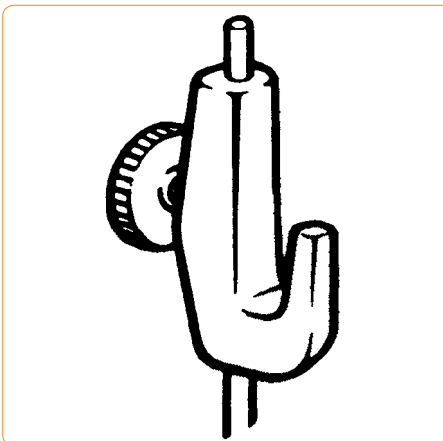
### FX STAINLESS STEEL SELF LOCKING HOOK



Stainless Steel self locking hooks have ends which are inserted onto the stainless steel hanging wire. They then slide along to the required position. Self locking hook with internal clutch.

FXH004

### FX HEAVY DUTY NYLON HOOK



Heavy Duty large knurled screw. Fits clear nylon hangers.

FXH005

### FX MINI HOOKS FITS NYLON CORD.



For lightweight pictures.

FXH009

### TWO PART HOOKS SECURITY HOOK



If security is an issue the Two Part Security Hook HP will prevent your art from being ripped off the wall. This acts as a good deterrent for anyone hoping to make a quick getaway.

FXH008

### FX PICTURE RAIL CONVERTER KIT

Fittings to enable old picture rails to hold a modern nylon hanger. Contains 1 hook, 1 modified rail hook and 1 cord.

FXH010

### FX STAINLESS RAIL CONVERTER - SELF LOCK

1 self locking hook, 1 modified rail hook and 1 stainless steel hanger 1.5 metres.

FXH011

### FX NYLON ZIPPER HOOK

Easy to use nylon hook. Adjust with the press of a button.

FXH012

### FX STAINLESS STEEL SUPER HOOK

Extra strong larger hook for the stainless steel hanger.

FXH013 \$13.10

### FX NYLON COBRA HANGER

Slots into track at any point so as to avoid having to move all painting to move one. Available in 1.5 metre lengths.

FXH014

## FX STAINLESS STEEL COBRA HANGER

Slots into track at any point so as to avoid having to move all painting to move one. Available in 1.5 metre lengths.

FXH015

## FX CEILING RAIL SILVER/WHITE 3M (COBRA)

Tracking that attaches to the ceiling for use with Cobra Hangers. 3 metre lengths. 20kg weight limit.

FXH016

## FX NYLON RAIL CONVERTER - MINI HOOK

1 mini hook, 1 modified rail hook and 1 nylon hanger 1.5 metres.

FXH017

## FX NYLON RAIL CONVERTER - ZIPPER HOOK

1 zipper hook, 1 modified rail hook and 1 nylon hanger 1.5 metres.

FXH018

## FX NYLON RAIL CONVERTER - SECURITY HOOK

1 security hook, 1 modified rail hook and 1 nylon hanger 1.5 metres.

FXH019

## FX STAINLESS RAIL CONVERTER - SUPER HOOK

1 super hook, 1 modified rail hook and 1 stainless steel hanger 1.5 metres.

FXH020

## PALLET WRAP



This is much like gladwrap for pallets. 500mm wide Clear poly film that you wrap around a pallet. 20 or 25 micron available in boxes of 4 rolls.

QPW25 500mm x 400m x 25m

QPW20 500mm x 450m x 20m

## SINGLE FACED CORRUGATED CARDBOARD



Corrugated brown cardboard ideal for packing artwork and other fragile objects. Takes the force of knocks and bumps. Only corrugated on one side. Comes in a roll.

CC1220 1220mm x 25metres

CC610 610mm x 25metres

CC760 760mm x 25metres

CC915 910mm x 25metres

## POLY STRAP PACKING TAPE AND BUCKLES



Box of Non Adhesive Polypropylene Strap. Plastic buckles are needed to tie the strap around a carton. These buckles are available in bags of 1000.

QSTRAP 12mm x 1000m Hand Poly Strap

QSTRBU Hand Poly Strap Buckles

## BUBBLE WRAP



Bubblewrap Polycell Bubblewrap is two layers of plastic with air trapped in 10mm bubble between the two layers of plastic. Ideal for protective packaging!

QBW0375 375mm x 50metres

QBW0500 500mm x 50metres

QBW1500 1400mm x 100metres

## FELT CIRCLES BLACK 15MM X 3MM

FELTCB

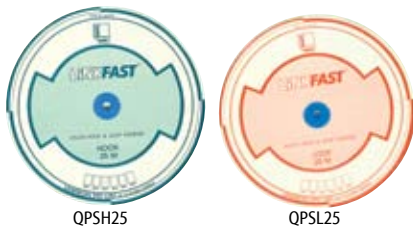
## FRAGILE TAPE



Helps prevent product damage in transit. Printed with FRAGILE warning and picture. Highly visible fluoro orange backing. Bold clear black printing. High tensile strength for packaging. Low noise release coating. Economical to use.

FRAG50 50mm x 66metres

## PRESSURE SENSITIVE



Hook & Loop Fastener Self Adhesive. Ideal for hanging frame samples for display purposes. As used in shoulder pads and board shorts - a 1000 and one uses. Available in 25mm x 25metres. Hook or Loop sold separately. Sew-on and adhesive backed in strip for display and merchandising plastic fabrication and stationary etc.

QPSH25 Hook 25mm x 25metres

QPSL25 Loop 25mm x 25metres

## BANTEX CARTON SEALER



Metal gun dispenser for packaging tape. Easy application. Black plastic handle.

BCASE

new life

LIFE PENCILS - by **ROYMAC** FOR ARTISTS

Bring your drawing to life



Roymac Life pencils are designed and made specifically for Life drawing. The pencils are 12 carefully selected skin tones, chosen by artists for artists. They are large, natural wood pencils with a 6mm colour strip and strong pigment concentration. The lay down of colour is smooth and even and the pencils are fully bonded to ensure strength and durability.

**ROYMAC** FOR ARTISTS

Roymac is Australia's favourite range of products for artists. The market leader in brushes for artists since 1960, we are using our knowledge and experience to create colour products you will love to create with. Our team includes experienced Australian artists and we ensure that our products are what you, the artist, wants.

Brought to you by  
**micador GROUP**  
GALVING CREATIVITY - FOR LIFE